

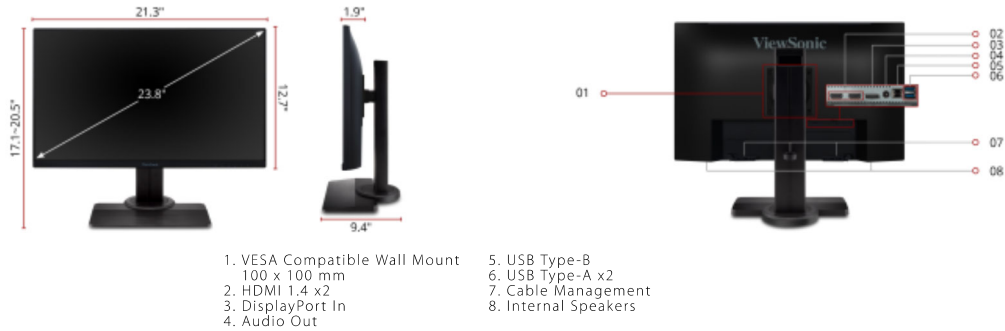


Key Features

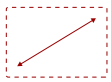
Seamless Gameplay | Fast IPS Technology | Ultra-Fast Response Time |
AMD FreeSync™ Premium | Game without Borders

Product Description

Engineered for gaming, the ViewSonic® XG2431 is a 24" Full HD monitor that features the perfect blend of speed, control and color. An ultra-smooth 240Hz refresh rate pushes FPS gaming into new territory, enabling games to run at higher frames for incredible graphic performance. AMD FreeSync™ Premium technology synchronizes the monitor to the GPU output, eliminating screen tearing and lag. Fast-IPS technology combines rich colors, amazing contrast and wide viewing angles, while also delivering up to 4x faster response times compared to traditional panels. The 1ms response time allows every input to be faster and more precise. Flexible connectivity via DisplayPort and two HDMI ports make connections to other peripherals or high-end graphics cards a breeze. The XG2431 is also equipped with ViewSonic's exclusive ViewMode™ presets, which offer user-customized game modes for FPS, RTS and MOBA gaming.



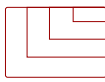
- 1. VESA Compatible Wall Mount
100 x 100 mm
- 2. HDMI 1,4 x2
- 3. DisplayPort In
- 4. Audio Out
- 5. USB Type-B
- 6. USB Type-A x2
- 7. Cable Management
- 8. Internal Speakers



24"
DISPLAY



IPS
PANEL



1920 x 1080
RESOLUTION

Contact Sales

- call: 888.881.8781
- email: salesinfo@viewsonic.com
- visit: viewsonic.com

Display:

Display Size (in.):	24
Viewable Area (in.):	23.8
Panel Type:	IPS
Resolution:	1920 x 1080
Resolution Type:	Full HD (1920x1080)
Static Contrast Ratio:	1,000:1
Dynamic Contrast Ratio:	80,000,000:1
Light Source:	LED
Brightness:	300 cd/m2
Colors:	16.7M
Color Space Support:	6 bit+FRC
Aspect Ratio:	16:9
Response Time (Typical GTG):	1ms
Response Time (GTG w/OD):	1ms
Viewing Angles:	178° horizontal, 178° vertical
Backlight Life (Hours):	30,000
Panel Surface:	Anti-Glare type, Hard-coating (3H), Haze 25%
Refresh Rate (Hz):	240
Adaptive Sync:	AMD FreeSync™ Premium

Compatibility:

PC Resolution (max):	1920x1080
Mac® Resolution (max):	1920x1080

Connector:

USB Type A(2), USB Type B(1), 3.5mm Audio Out(1), HDMI 2.0 In(2), DisplayPort(1)

Audio:

Internal Speakers:	3W (x2)
--------------------	---------

Power:

Eco Mode (Conserve):	19W
Eco Mode (optimized):	24W
Consumption (typical):	27W
Consumption (max):	54W
Voltage:	100-240 VAC
Stand-by:	0.5W
Power Supply:	Internal

Additional Hardware:

Kensington Lock Slot:	1
-----------------------	---

Controls:

Physical Controls:	Key 1 (favorite), Key 2, Key 3, Key 4, Key 5, Key 6 (power)
On Screen Display:	Input Select, Audio Adjust, ViewMode, Color Adjust, Manual Image Adjust, Setup Menu

Operating Conditions:

Temperature:	32-104° F (0 - 40° C)
Humidity (non-condensing):	20-90%

Mount:

VESA Compatible:	100 x 100 mm
------------------	--------------

Video Signal:

Frequency Horizontal:	HDMI (v1.4): 15 ~ 255 KHz, DisplayPort: 255 KHz
Frequency Vertical:	HDMI (v1.4): 48 ~ 240 Hz, DisplayPort: 48 ~ 240 Hz

Ergonomics:

Height Adjust:	120 mm / 4.7 in
Swivel:	90°
Tilt (Forward/Back):	5° / 15°

Weight (imperial):

Net (lbs):	15.0
Net Without Stand (lbs):	7.8
Gross (lbs):	19.0

Weight (metric):

Net (kg):	6.8
Net Without Stand (kg):	3.5
Gross (kg):	8.6

Dimensions (imperial) (WxHxD):

Packaging (in.):	27.5 x 15.7 x 7.3
Physical (in.):	21.3 x 17.1~20.5 x 9.4
Physical Without Stand (in.):	21.3 x 12.7 x 1.9

Dimensions (metric) (WxHxD):

Packaging (mm):	698.0 x 400.0 x 185.0
Physical (mm):	540.0 x 434.1~520.1 x 239.0
Physical Without Stand (mm):	540.0 x 323.0 x 49.0

General:

Regulations: cTUVus, FCC-B, ICES003, CEC, MX-CoC, NOM, Mexico Energy, RoHS

PACKAGE CONTENTS: XG2431, 3-pin Plug (IEC C13 / CEE22), DisplayPort Cable (v1.2; Male-Male), USB A/B Cable (v3.2; Male-Male), Quick Start Guide

Recycle/Disposal: Please dispose of in accordance with local, state or federal laws.

Warranty: Three-year limited warranty on parts, labor and backlight

UPC: 766907011074

Accessories:

CB-00009950, CB-00010555, CB-00010684, CB-00010958, LCD-DMA-001, LCD-DMA-002, LCD-MA-001, LCD-WMK-001