

# VIEWSONIC 32" 4K UHD THIN-BEZEL MONITOR WITH HDMI, DP, AND MINI DP | VX3276-4K-MHD

## Key Features

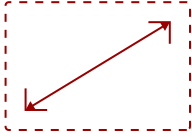
---

- Versatile Monitor: 32 Inch 4K UHD (3840x2160p) MVA monitor with thin bezels and 60Hz refresh rate
- HDR10 Content Support: For deep contrast, rich color, and vibrant details
- Enhanced Viewing Comfort: Flicker-Free technology and Blue Light Filter for reduced eye fatigue
- Optimized View Settings: Offers "Game," "Movie," "Web," "Text," and "Mono" presets
- Flexible Connectivity: The VX3276-4K-MHD supports laptops, PCs, and Macs with HDMI, DisplayPort, and Mini DisplayPort inputs

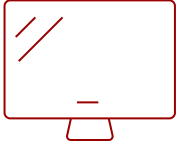


---

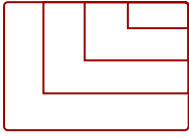
Future-proof inputs  
for flexible connectivity options




**32"  
DISPLAY**



**MVA  
PANEL**



**3840 x 2160  
RESOLUTION**



**2x 2-Watt Speakers**  
**x2 HDMI 2.0**  
**x1 DisplayPort**  
**x1 Mini DisplayPort**  
**x1 Audio Out**

## Product Description

---

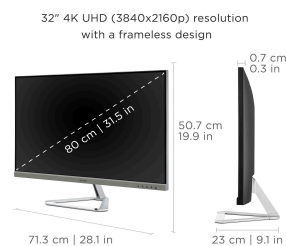
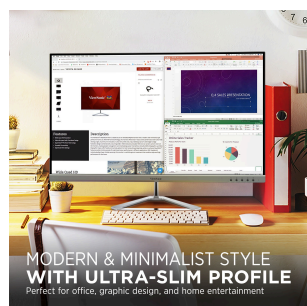
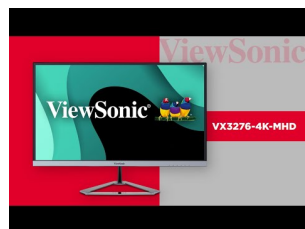
The ViewSonic® VX3276-4K-mhd is a sleek 32" (31.5" viewable) 4K UHD monitor with a modern and minimalist style perfect for home use. With SuperClear® MVA panel technology and 80M:1 dynamic contrast ratio, this monitor offers best-in-class screen performance with ultra-wide viewing angles. A sleek edge-to-edge frameless design, combined with stunning 3840 x 2160 resolution, provides incredibly sharp and detailed visuals, while HDR10 content support delivers a high dynamic range of vivid color and contrast for incredible screen performance. Versatile HDMI, DisplayPort, and Mini DisplayPort inputs offer flexible connectivity options for both computing and gaming, while an exclusive ViewMode™ feature provides intuitive presets for optimized screen performance in different applications. With ViewSonic's industry-leading 3-year limited warranty, this monitor is a solid long-term investment that combines style and high performance for the home.

# Specifications

|                                    | More Information                 |
|------------------------------------|----------------------------------|
| <b>UPC</b>                         | 766907002966                     |
| <b>Screen Size</b>                 | 32"                              |
| <b>Viewable Area (in.)</b>         | 31.5                             |
| <b>Panel Type</b>                  | MVA                              |
| <b>Display Resolution</b>          | 3840 x 2160                      |
| <b>Display Resolution</b>          | 4K (3840x2160)                   |
| <b>Static Contrast Ratio</b>       | 2,500:1                          |
| <b>Dynamic Contrast Ratio</b>      | 80,000,000:1                     |
| <b>Light Source</b>                | WLED                             |
| <b>Brightness</b>                  | 300 cd/m2                        |
| <b>Colors</b>                      | 16.7M                            |
| <b>Color Space Support</b>         | 8 bit                            |
| <b>Aspect Ratio</b>                | 16:9                             |
| <b>Response Time (Typical GTG)</b> | 8ms                              |
| <b>Response Time (GTG w/OD)</b>    | 3ms                              |
| <b>Viewing Angles</b>              | 178° horizontal, 178° vertical   |
| <b>Backlight Life (Hours)</b>      | 30,000                           |
| <b>Panel Surface</b>               | Anti-glare, Hard coating 3H      |
| <b>PC Resolution (max)</b>         | 3840 x 2160                      |
| <b>Mac® Resolution (max)</b>       | 3840 x 2160                      |
| <b>3.5mm Audio Out</b>             | 1                                |
| <b>HDMI 2.0 In</b>                 | 2                                |
| <b>DisplayPort</b>                 | 1                                |
| <b>Mini DisplayPort</b>            | 1                                |
| <b>Internal Speakers</b>           | 2W (x2)                          |
| <b>Eco Mode (Conserve)</b>         | 24W                              |
| <b>Eco Mode (optimized)</b>        | 34W                              |
| <b>Consumption (typical)</b>       | 53W                              |
| <b>Consumption (max)</b>           | 56W                              |
| <b>Voltage</b>                     | AC 100-240V (universal), 50-60Hz |
| <b>Stand-by</b>                    | 0.5W                             |
| <b>Power Supply</b>                | Internal                         |
| <b>Cable Organization</b>          | No                               |

|                                     |  |
|-------------------------------------|--|
| <b>Physical Controls</b>            | 1,2,3,4,5,6 (power)  |
| <b>On Screen Display</b>            | Auto Image Adjust, Contrast/Brightness, Input Select, Audio Adjust, Color Adjust, Information, Manual Image Adjust, Advanced Image Adjust, Setup Menu, Memory Recall (See user guide for complete OSD functionality) |
| <b>Temperature</b>                  | 32-104° F (0 - 40° C)  |
| <b>Humidity (non-condensing)</b>    | 20-90%   |
| <b>VESA Compatible</b>              | 100 x 100 mm   |
| <b>Frequency Horizontal</b>         | HDMI: 15 ~ 140 KHz, DisplayPort / Mini DP: 24 ~ 140 KHz  |
| <b>Frequency Vertical</b>           | HDMI: 24 ~ 75 Hz, DisplayPort / Mini DP: 50 ~ 75 Hz  |
| <b>Digital Sync</b>                 | TMDS for HDMI (v2.0), PCI-E for DisplayPort (v1.2) and Mini DP (v1.2)  |
| <b>Tilt (Forward/Back)</b>          | 4° / 15°   |
| <b>Regulations</b>                  | EPEAT, CEC, MX-CoC, Mexico Energy, CE, CE EMC, CB  |
| <b>Net (lbs)</b>                    | 15.0   |
| <b>Net Without Stand (lbs)</b>      | 13.7   |
| <b>Gross (lbs)</b>                  | 19.8   |
| <b>Net (kg)</b>                     | 6.8  |
| <b>Net Without Stand (kg)</b>       | 6.2  |
| <b>Gross (kg)</b>                   | 9.0  |
| <b>Packaging (in.)</b>              | 33.0 x 20.2 x 4.6  |
| <b>Physical (in.)</b>               | 28.1 x 19.9 x 9.1  |
| <b>Physical Without Stand (in.)</b> | 28.1 x 16.5 x 1.6  |
| <b>Packaging (mm)</b>               | 838.0 x 514.0 x 118.0  |
| <b>Physical (mm)</b>                | 713.0 x 507.0 x 230.0  |
| <b>Physical Without Stand (mm)</b>  | 713.0 x 418.0 x 42.0   |
| <b>Package Contents</b>             | VX3276-4K-mhd, Power Cable, HDMI Cable, Quick Start Guide  |
| <b>Recycle/Disposal</b>             | Please dispose of in accordance with local, state or federal laws.   |
| <b>Warranty</b>                     | Three-year limited warranty on parts, labor and backlight  |

UPC: 766907002966



**Contact Sales**  
[ViewSonic.com](http://ViewSonic.com)  
 888.881.8781  
 email: [salesinfo@viewsonic.com](mailto:salesinfo@viewsonic.com)