

Trolley

For 55" to 84" Displays

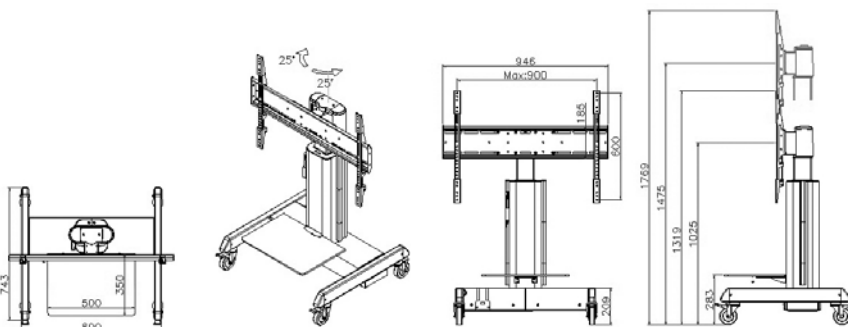
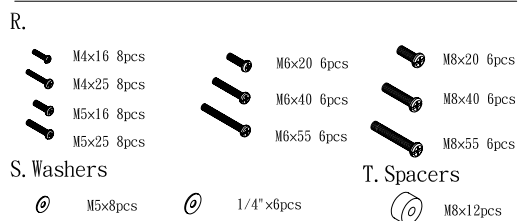
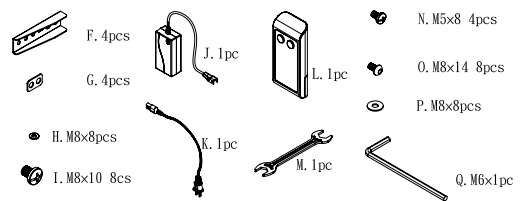
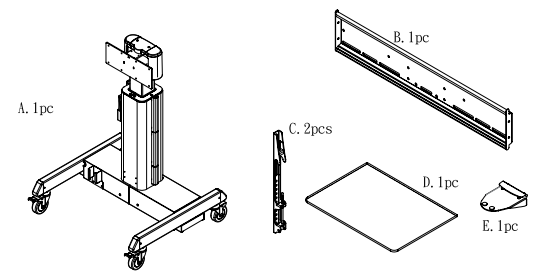
LB-STND-006



Specifications

Ergonomics	Tilt	None
	Swivel	50 degree
	Height Adjust	Yes, max rising distance 450 mm
	Rotate	None
Material	Aluminum alloy / Steel	
Loading	Wall mount	120 kg max. / 264.55 lb max.
Dimensions	Physical (WxHxD)	946 x 1769 x 743 mm / 37.2 x 69.6 x 29.2 in
	Packaging (WxHxD)	850 x 1260 x 930 mm / 33.5 x 49.6 x 36.6 in
Weight	Net	79 kg / 173.8 lb
	Gross	120 kg / 264 lb

What's in the box?



*Specifications are subject to change without notice.
All brands or product names are trademarks or registered trademarks of their respective companies.