

Trolley

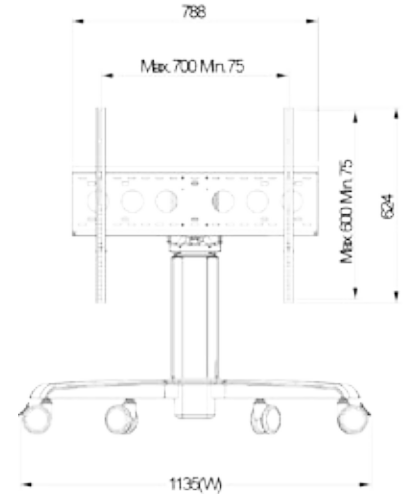
For 55" to 84" Displays

LB-STND-005



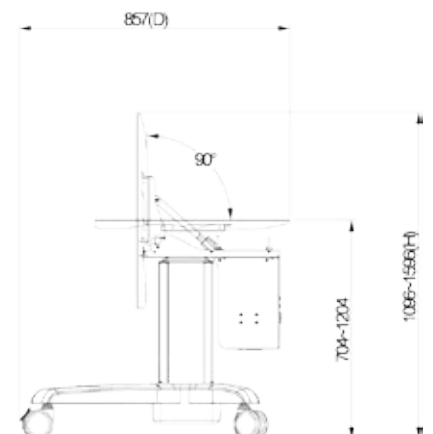
Specifications

Ergonomics	Tilt	90 degree
	Swivel	None
	Height Adjust	Yes, max rising distance 500mm
	Rotate	None
Material		Aluminum alloy / Steel
Loading	Wall mount	120 kg max. / 264.55 lb max.
Dimensions	Physical (WxHxD)	1135 x 1596 x 857 mm / 44.69 x 62.83 x 33.74 in
	Packaging (WxHxD)	854 x 768 x 388 mm / 33.62 x 30.24 x 15.28 in
Weight	Net	40 kg / 101.6 lb
	Gross	47 kg / 103.4 lb



What's in the box?

Main pole x 1 / Long base x 2 / Short base x 2 / bracket x 1 / Remote control x 1 / Cable tie x 1 / Plastic washer x 4 / Screws x 30 / Allen wrench x 2 / Hex screw x 18 / Cable management Tube x 1 / Power cord x 3 / Installation Guide x 1



*Specifications are subject to change without notice.

All brands or product names are trademarks or registered trademarks of their respective companies.